

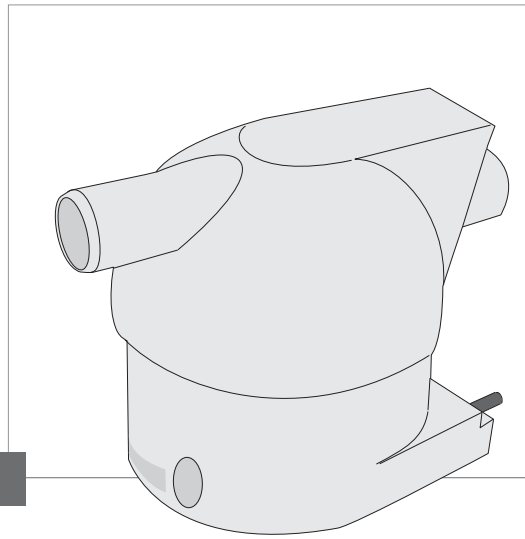
CHTER HOFFRICHTER HOFFRICHTER HOFFRICHTER HOFFRICHTER HOFFRICHTER HOFFRICHTER HOFFRICHTER HOFFRICHTER
HOFFRICHTER HOFFRICHTER HOFFRICHTER HOFFRICHTER HOFFRICHTER HOFFRICHTER HOFFRICHTER HOFFRICHTER HOFFRICHTER
HOFFRICHTER HOFFRICHTER HOFFRICHTER HOFFRICHTER HOFFRICHTER HOFFRICHTER HOFFRICHTER HOFFRICHTER HOFFRICHTER
HOFFRICHTER HOFFRICHTER HOFFRICHTER HOFFRICHTER HOFFRICHTER HOFFRICHTER HOFFRICHTER HOFFRICHTER HOFFRICHTER

HOFFRICHTER

AquaTREND III-H5

plug-in humidifier
for **TREND** - devices

USER'S MANUAL



Serial Number

Each **AquaTREND III-HS** from **HÖFFRICHTER** GmbH is provided with a serial number which guarantees the product can be traced back. The serial number is on the type identification plate to be found on the reverse of the device.

In case of any query or complaint, please always state the serial number.

Conformity



The device complies with the requirements of the directives 93/42/EWG.

| | |
|--|----|
| Safety Instructions | 04 |
| Intended Use | 05 |
| Technical description of AquaTREND III-H5 | 06 |
| Device Description | 07 |
| Operating AquaTREND III-H5 | 08 |
| Cleaning | 09 |
| Problems | 10 |
| Technical Data | 11 |
| Sales and Service | 12 |

Safety Instructions

Before first use of your **AquaTREND III-H5**, please read this manual thoroughly!

Keep the manual in a safe place, so that you will be able to consult it whenever necessary.

Attention!

HOFFRICHTER GmbH shall not be held liable for any damages or consequential damages, consequences for safety, reliability and performance of the device, in case of:

- ▶ Tampering, modifying, adding expansion features, adjustment, repair and maintenance executed by persons who have not been authorized by us.
- ▶ Building in accessory and spare parts which have been fabricated by other manufactures and not been released by us for use in the humidifier **AquaTREND III-H5**.
- ▶ Using the device in a different way than what has been described in the manual.
- ▶ The hygiene- and cleaning specifications in this manual aren't observed.

Please comply with the following information in order to prevent possible dangers:

1. Use the device exclusively in combination with **TREND** therapy device and comply with the user information for this devices.
2. Use only those accessoires recommended and offered by manufacturer or your dealer.
3. Do not use **AquaTREND III-H5** if it is damaged or is not operating correctly and report such circumstances to your dealer immediately.
4. Place the device on a flat and stable base avoiding tilted positions.
Never transport or tilt the therapy device with the humidifier fitted and filled, otherwise water could enter the therapy device and damage it.
5. Never place the therapy device with humidifier fitted and filled in the sun or close to heaters etc.

The **AquaTREND III-H5** humidifier provides humidification of the air delivered to the patient.

The **AquaTREND III-H5** humidifier is intended for use only with **TREND** therapy devices for treatment of obstructive sleep apnea (OSA) in adult patients weighing at least 30 kg.

The **AquaTREND III-H5** humidifier accessory is not intended for use with medications, aromatic oils or other substances added to the humidifier water.

Refer to your **TREND** manual for more information.

Technical description of *AquaTREND III-H5*

AquaTREND III-H5 is an attachable warm-air humidifier accessory for **TREND** therapy devices.

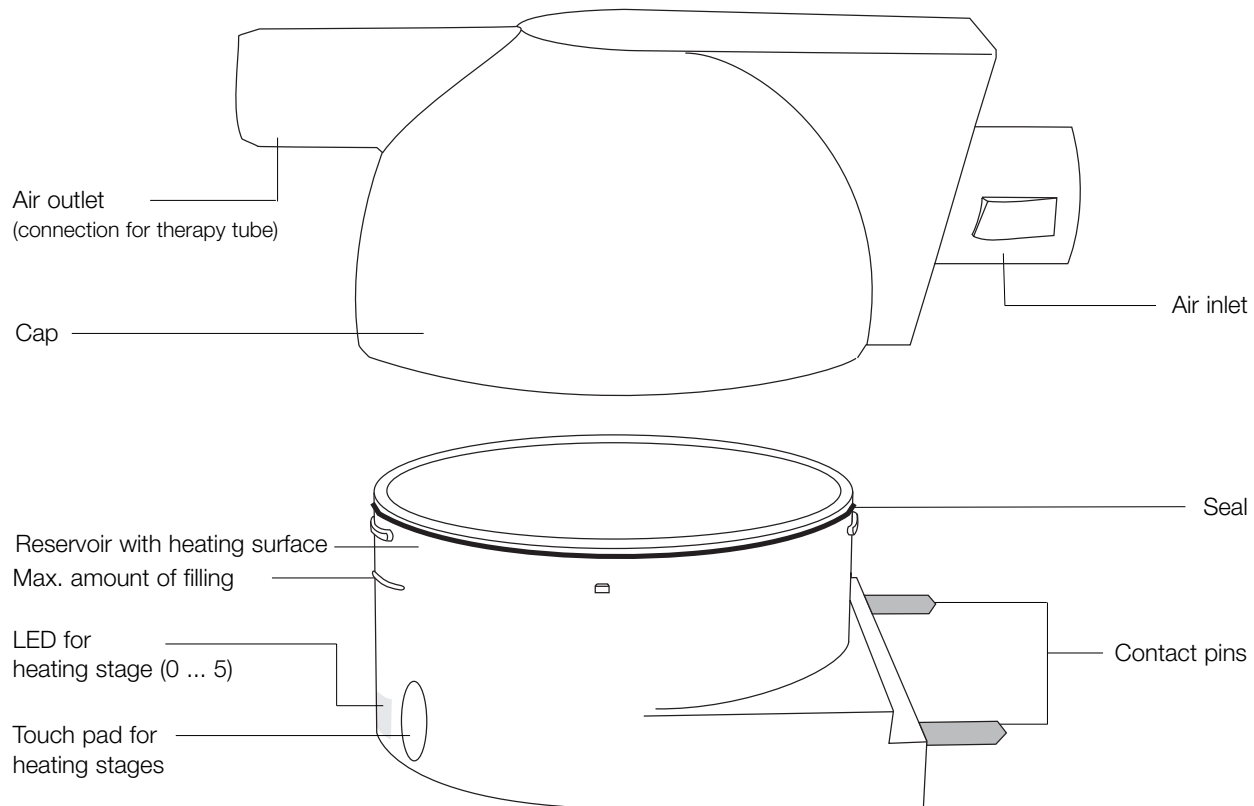
It is used to supplement the therapeutic air flow with humidity to prevent the mucous membranes in the upper respiratory passages from drying out.

The level of heating can be adjusted in stages from 0 to 5 and can thus be adapted to the individual needs of the patient.

AquaTREND III-H5 has an integral storage. This ensures that the last heating set is stored when the therapy unit is switched off or the humidifier is removed.

AquaTREND III-H5 can only be used on **TREND** therapy devices.

Device description



Operating *AquaTREND III-H5*

AquaTREND III-H5 should be thoroughly flushed once with filtered water before first use. In this regard, read the section “Cleaning” on page 9.

AquaTREND III-H5 must not be fitted to therapy device during filling.

Open the humidifier by turning the cap anticlockwise and the reservoir in opposite direction.

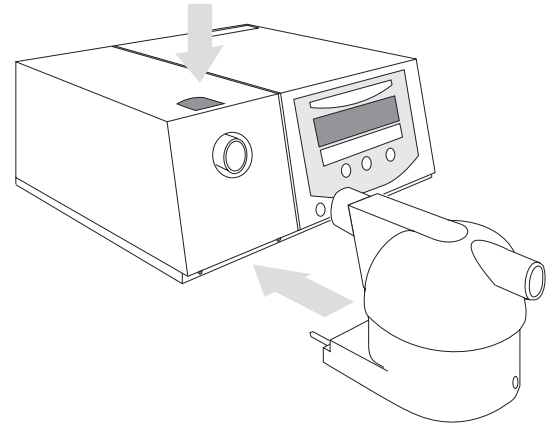
Fill **AquaTREND III-H5** only with distilled water or boiled water with a low lime content. This water must be cold and contain no additives. The maximum filling level must not be exceeded.

Close the humidifier by putting the cap on the reservoir and turning clockwise until limit stop.

A cleaned and freshly filled humidifier must no longer be placed on its side or turned upside down. Take the humidifier over to your **TREND** device and fit it.

In so doing, ensure the following:

- n Press the release button on top of the therapy device
- n Feed the contact pins and air inlet to the therapy device without turning or tilting the humidifier.
- n The rear panel of the humidifier must come flush with the **TREND** without any gap.
- n The release button must be heard to engage.



On **AquaTREND III-H5** the heating level is selectable in 6 stages from 0 to 5. By touching the touch pad the heating level will increase at a time for one stage until 5 and then begin with 0.

The adjusted heating level is shown on the LED. Heating of the water occurs only when the fan is operating. The heating is switched off in heating stage “0”.

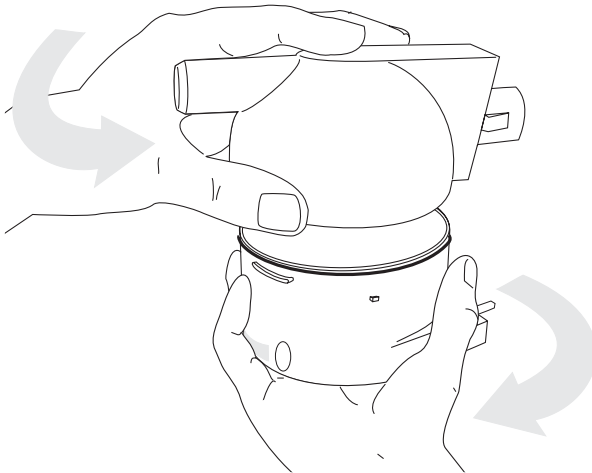
Caution!

Starting the blower with the humidifier full and without the therapy hose connected can cause the air flow to pick up drops of water. Therefore start the humidifier only when the therapy hose is properly inserted.

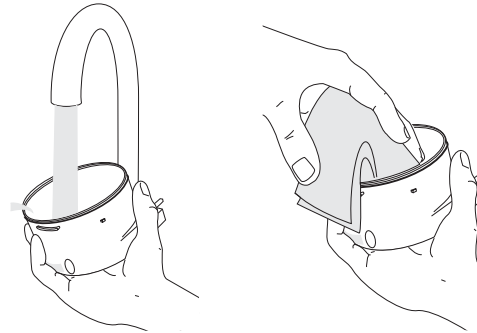
Compliance with the hygiene and cleaning regulations is particularly important for your health and the prevention of malfunctions.

Regular daily cleaning will prevent the lime scale from solidifying, which will then be difficult to remove. Furthermore, you will be taking care of your health by observing the hygiene regulations. Finally, also ensure that the air humidifier **AquaTREND III-H5** always remains functional.

Open the humidifier by turning the cap anticlockwise and the reservoir in opposite directions.



Empty the reservoir and clean it under running water. Remove the lime scale residue from it by wiping it with a soft cloth.



Important!

Do not use any sharp or pointed objects for cleaning purposes.

If it is ever necessary to remove stubborn scale residues, we recommend the use of a normal domestic scale remover or by filling the heating dish with a weak vinegar solution and allowing it to stand for some time.

For the cap with air inlet and air outlet we advise a daily cleaning under running water.

Problems

| PROBLEM | HELP |
|---|---|
| Water leaking from the air outlet | Check to determine whether the maximum filling level of the reservoir has been exceeded. Check that the float is correctly positioned. Check for cleanliness. |
| No indication of heating | Check that the contact pins are inserted fully into the therapy device and that the release button is engaged. The therapy device must be switched on. |
| Water in the therapy tube | The heating is set to high; select a lower heating stage. |
| No or inadequate humidification | Set a higher heating stage. |
| Pain in nose, nasal cavity or ears | Possible inflammation: Stop therapy and contact your doctor. |
| Dryness and irritation of nose and throat | Humidification level is inadequate. Set higher heating level, discuss with your doctor. |
| Head cold, wet nose, sinus drainage or discomfort | Head cold or sinus infection - discontinue therapy if your condition interferes with treatment and contact your doctor. |

| | |
|---|--|
| Dimensions (W x L x H) | 100 mm x 157 mm x 109 mm |
| Mass without water | approx. 290 g |
| Operating voltage | 15 ... 22 V / DC |
| Power Consumption | 0 ... 20 W |
| Heating steps | 1 ... 5 |
| Max. filling quantity | approx. 200 ml |
| Product MPG class | IIa |
| Classification according to DIN EN 60601-1 | protective class II, Type BF equipment |

Data subject to technical alteration.

