

CHANGING THE FILTER, CLEANING

⚠ CAUTION

Make sure that you follow the cleaning instructions. If you do not do this, it could damage your health because of germs.

CHANGING AND CLEANING THE FILTER

⚠ CAUTION

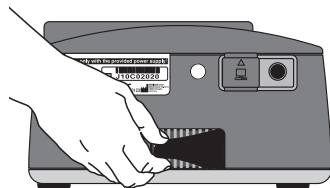
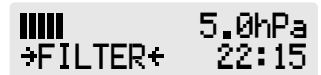
If the filter is dirty or if a →FILTER← message appears on the display, the filter must be replaced or washed out.

Changing the filter

Pull out the filter from the back of the device and replace it with a new one or a cleaned one.

Cleaning the filter

1. Pull out the filter from the back of the device.
2. Use mild soapy water for cleaning (do not use any other agents). Rinse thoroughly with clear water and leave to dry in the air.



Removing the filter

Cleaning the mask daily

1. Remove the mask with the exhalation valve from the therapy tube.
2. Use mild soapy water for cleaning (do not use any other agents). Rinse thoroughly with clear water and leave to dry in the air, protected from direct sunlight.

Cleaning the therapy tube weekly

1. Remove the therapy tube from the device and the mask.
2. Use mild soapy water for cleaning. Rinse the tube thoroughly with clear water and leave to dry in the air.

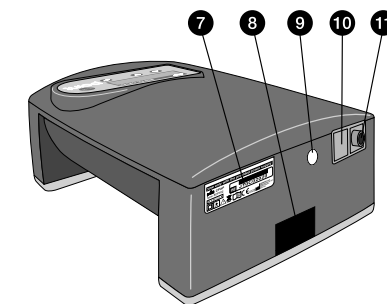
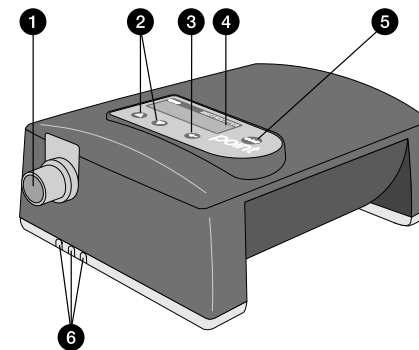
Cleaning the device weekly

1. Unplug the mains plug.
2. Wipe the device with a cloth slightly moistened with soapy water and then rub dry.

Cleaning the headgear

If necessary, the headgear must be cleaned as follows:

1. Remove the headgear from the mask.
2. Clean the headgear in accordance with the information in the headgear manufacturer's user's manual.



1. Therapy tube connection
2. Programming keys
3. Enter key
4. Display
5. ON/OFF key
6. Cover for contact sockets for plug-in humidifier
7. Rating plate
8. Filter or connection port for the **filtersystempoint**
9. Pressure balance aperture (grid covered)
10. RS232 interface
11. Power socket

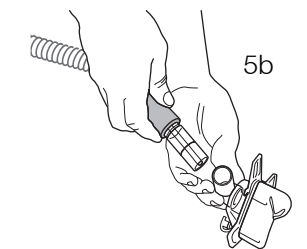
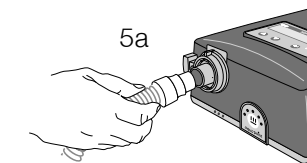
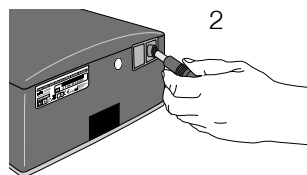
HOFFRICHTER
Quality makes the Difference

point



COMMISSIONING

1. Set up the device according to the installation instructions (see user's manual).
2. Connect the power supply to the device.
3. Connect the mains cable to the power supply and plug into a power socket.
4. The device starts up and displays a welcome text, the software version and the current number of therapy hours and then switches to the date and time display.
5. Connect the therapy tube
a) to the air outlet and
b) to the mask.
6. In some cases, the device must be calibrated. To do this, read the "Calibration" section in the user's manual.
7. Put the mask on. If automatic mode has been selected, the device is turned on by the patient breathing powerfully. In manual mode, press the ON/OFF key to start the device.
8. The device first of all runs for the time selected by you for the mask test and at the prescribed pressure. You should now ensure that the mask is fitted correctly to ensure that it does not leak.
9. Place the tube in such a way that it does not exert any strain on the mask when you lie down.
10. Now breath deeply and calmly, still just through your nose.



MENUS

The point has a standard menu and a complete menu.

To switch between the menus press \leftarrow . Then hold the \blacktriangle and \blacktriangledown keys down at the same time for a few moments. The display shows the following message:

Standard-Menu
active

or

Complete-Menu
active

SETTING PARAMETERS

The following 3 keys are available to set the parameters on the device:

\blacktriangle = Programming key

\blacktriangledown = Programming key

\leftarrow = Enter key

1. Press \leftarrow for approx. 1 second.
2. If necessary select the standard or the complete menu.
3. Press \blacktriangle to switch to the next parameter. A flashing triangular symbol \blacktriangleright denotes the active parameter.
4. Press \leftarrow to change a parameter.
5. Set the required value with \blacktriangle and \blacktriangledown .
6. Confirm the new value by pressing \leftarrow .

IMPORTANT

The therapy pressure setting is PIN code secured. Settings may only be performed by the physician.

SWITCHING THE ALARM ON AND OFF

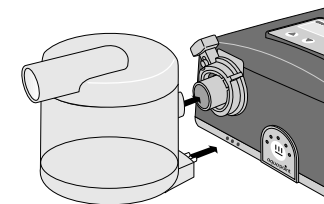
- The alarm wake function is set by pressing \blacktriangle . A bell symbol appears in the display.
- The alarm wake function is unset again by pressing \blacktriangledown . The bell symbol disappears.

SETTING THE WAKE UP TIME

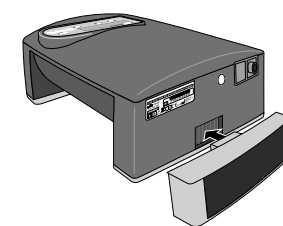
1. Press \leftarrow for approx. 1 second.
2. Press the \blacktriangle and \blacktriangledown key to select **Wake Time**.
3. Confirm by pressing \leftarrow .
4. Press \blacktriangle and \blacktriangledown to set the wake up time.
5. Confirm the set wake up time by pressing \leftarrow .

ACCESSORIES (optional)

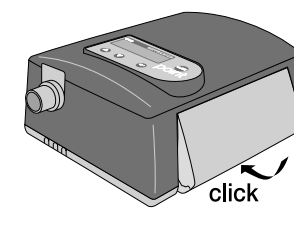
Therapy air humidifier
aquapoint



Filter system
filtersystempoint



Battery pack
powerpackpoint



Please refer to the respective user's manual for further information.