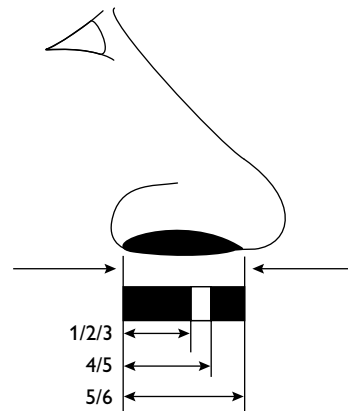
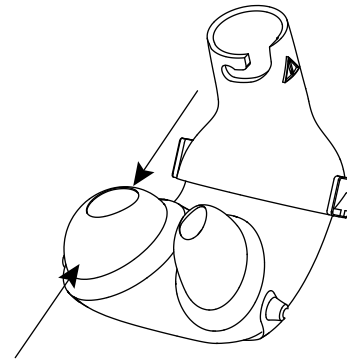
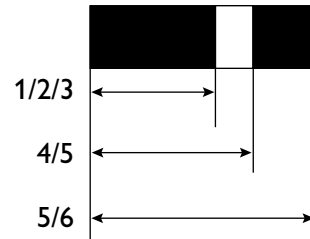
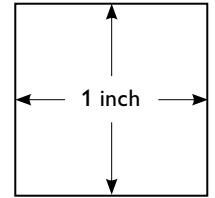


ComfortLite 2 Direct Seal cushion sizing gauge

www.philips.com/comfortlite2



Note: For proper mask sizing print out this page at 100%.

Do NOT select the "Shrink oversized pages to paper size" option.

The box in the upper right corner should measure 1 inch square.

PHILIPS

RESPIRONICS

sense and simplicity