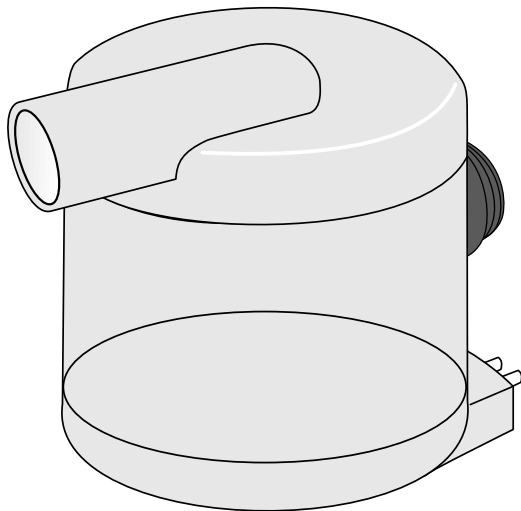


HOFFRICHTER

Quality makes the Difference ■■■■



User's manual
Therapy air humidifer for point 2

aquapoint

SERIAL NUMBER

Every HOFFRICHTER GmbH device is supplied with a serial number for traceability purposes.

Please enter your device's serial number here. You will find the serial number on the rating plate on the bottom of the device.

SN

Please always quote the serial number for all queries and complaints.

CONFORMITY



The device complies with the requirements of Directive 93/42/EEC.

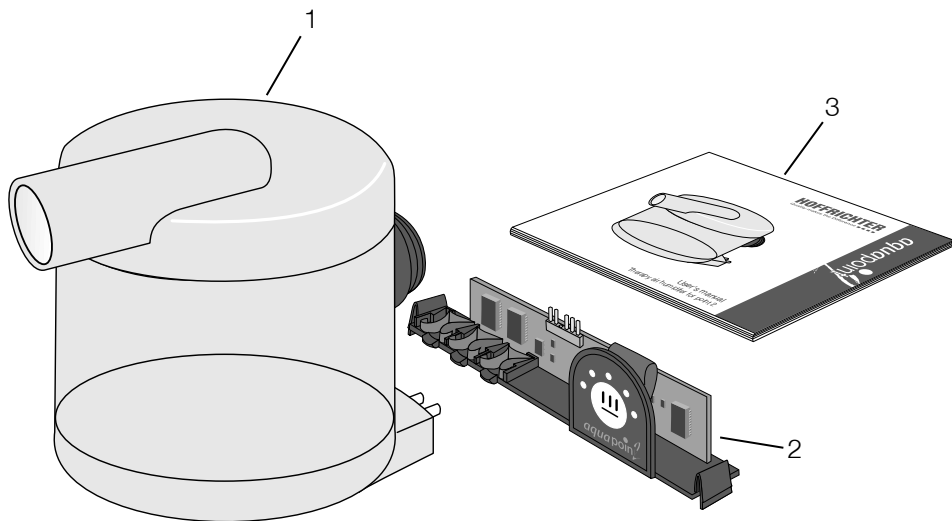
CONTENTS

Scope of delivery	5
General.....	6
Information on this user's manual.....	6
Symbols used in this user's manual.....	7
Symbols on the rating plate.....	9
Safety information	10
General safety instructions	10
Installation requirements and transport	11
Intended use.....	12
Contraindications	12
Side effects.....	12
How the device works.....	13
Device description	14
Humidifier	14
Controls.....	15
Fitting the accessories	16
Using the humidifier	18
Filling the humidifier.....	19
Connecting the humidifier to the device.....	20
Disconnecting the humidifier	21
Setting the heating level	21

Cleaning	22
Troubleshooting	24
Preparing the device for a patient change.....	25
Disposal.....	26
Humidifier	26
Packaging.....	26
Technical data.....	27
Disclaimer	29

SCOPE OF DELIVERY

- 1 Humidifier
- 2 Control electronics^a
- 3 User's manual



a optional

GENERAL

INFORMATION ON THIS USER'S MANUAL

Read this user's manual through carefully before using your therapy air humidifier for the first time.

Follow the safety and cleaning instructions in particular.

Keep the manual in a safe place close to the humidifer, so you can refer to it immediately if necessary.

SYMBOLS USED IN THIS USER'S MANUAL

Important information in this user's manual is denoted by symbols. Be sure to follow these instructions in order to avoid accidents, personal injury and material damage.

In addition, the local accident prevention regulations and general safety regulations in force in the area of use must be observed.



This symbol denotes general safety instructions. Follow these instructions to avoid accidents, personal injury or material damage.

WARNING

This symbol denotes hazardous situations that may lead to serious injuries or death.

CAUTION

This symbol denotes hazardous situations that may lead to moderately severe injuries.

ATTENTION

This symbol denotes situations that may lead to material damage or damage to the device.

NOTICE

This symbol denotes information, tips and instructions for the efficient, error-free use of the device.

SYMBOLS ON THE RATING PLATE



Observe the warnings and safety instructions in the user's manual.



BF application part



Protection class II (protective insulation)



CE conformity declaration



Manufacturer



Serial number



Follow the user's manual.



Caution – hot!



Do not dispose of the device with the household waste. Please contact the relevant customer services department to find out how to dispose of the device properly.

SAFETY INFORMATION

GENERAL SAFETY INSTRUCTIONS



- Only use the humidifier in combination with the point 2 respiratory therapy device. Follow all the specific user instructions for it.
- Only use accessories that have been recommended and supplied to you by the manufacturer or your specialist dealer.
- Do not start the humidifier if it is damaged or not working. In this event, inform your specialist dealer immediately.
- Change the water in the humidifier daily, as otherwise germs can multiply.

INSTALLATION REQUIREMENTS AND TRANSPORT



- Place the humidifier on a firm, level, heat-resistant surface. Avoid an unfavourable sloping position.
- Never transport or tilt the respiratory therapy device with a filled humidifier fitted. If you do this, water could get into the therapy device and damage it.
- Do not put the respiratory therapy device with a filled humidifier fitted in the sun or in the vicinity of heaters.

INTENDED USE

The **aquapoint 2** is used to humidify the therapy air flow.

The **aquapoint 2** may only be used in combination with a point 2. The point 2 is a respiratory therapy device for treating obstructive sleep apnea syndrome (OSAS) in patients weighing more than 30 kg.

WARNING

The water in the **aquapoint 2** must not contain any additives, such as medicines, salts, aromatic oils or other substances.

CONTRAINDICATIONS

No contraindications are known for the use of the **aquapoint 2**.

SIDE EFFECTS

Possible side effects from the use of the **aquapoint 2** are not known.

HOW THE DEVICE WORKS

The ***aquapoint 2*** is a plug-in air humidifier for the point 2 respiratory therapy device.

It is used to add humidity to the therapy air flow to prevent the mucous membranes in the upper respiratory passages from drying out.

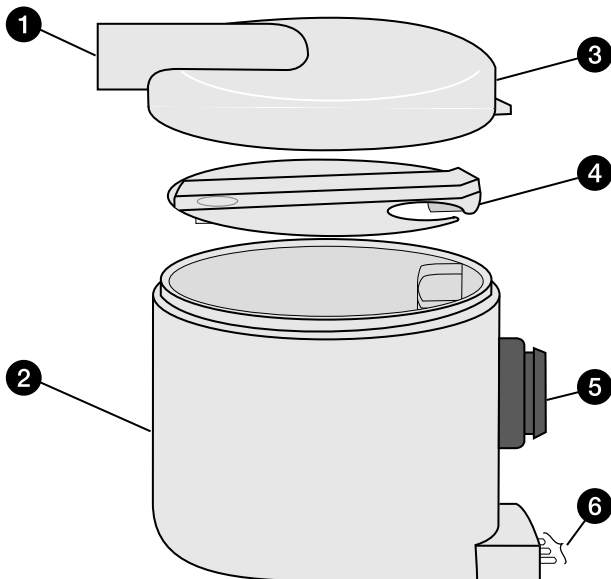
The heating power can be set to 5 different levels and can thus be adjusted to the patient's individual requirements.

The ***aquapoint 2*** has an integrated memory that guarantees that the last set heating level is retained after the therapy device has been switched off or the humidifier has been removed.

DEVICE DESCRIPTION

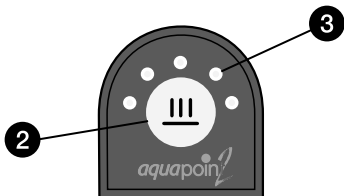
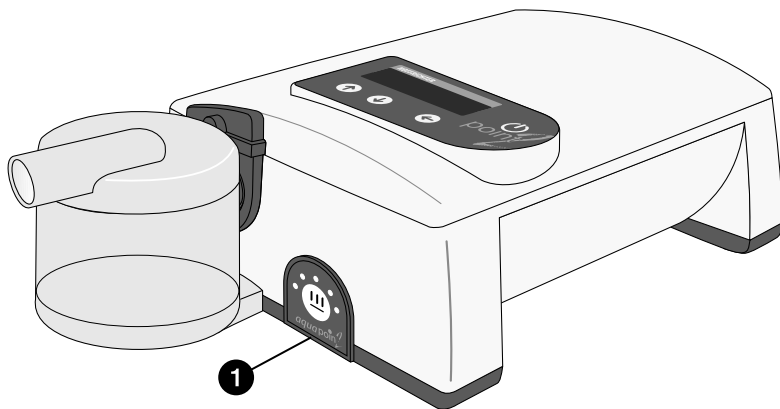
HUMIDIFIER

- 1 Air outlet (connection for therapy tube)
- 2 Water container with heating plate
- 3 Sealing cap
- 4 Air guide
- 5 Air inlet
- 6 Contact pins



CONTROLS

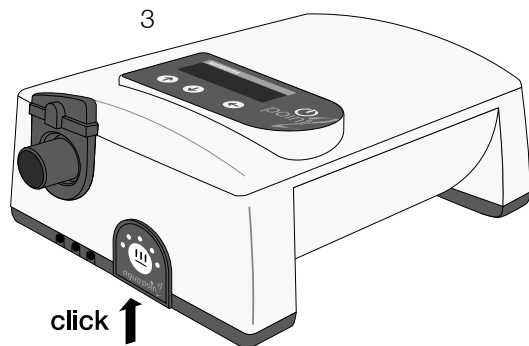
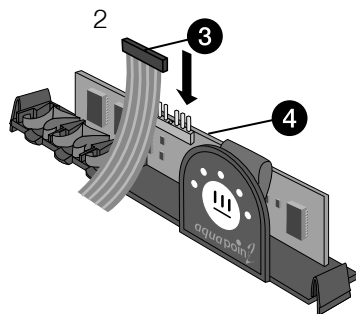
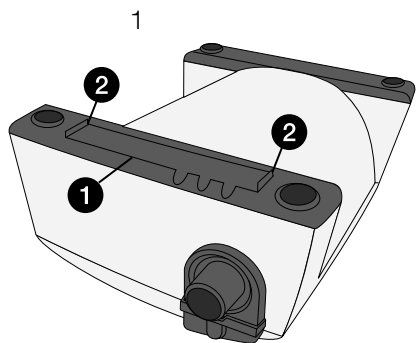
- 1 Controls
- 2 Operator key
- 3 LED indicator



FITTING THE ACCESSORIES

If the point 2 respiratory therapy device is not yet ready to have a humidifier connected, complete the following steps:

1. Remove the blind cap ❶ on the bottom of the point 2: use a small screwdriver to press the clips ❷ to the middle and lift the cap.
2. Connect the flat connector ❸ (located behind the blind cap) to the control electronics ❹. Ensure correct seating of the connector.
3. Insert the control electronics into the device until they click into place.



USING THE HUMIDIFIER

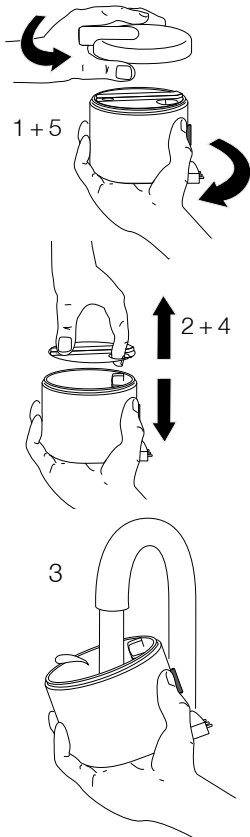
NOTICE

The humidifier must not be used together with a bacterial filter.

Before first use, rinse the humidifier thoroughly with clear water. To do this, read section „Cleaning“ from page 22.

ATTENTION

While it is being filled, the humidifier must not be attached to the respiratory therapy device.



FILLING THE HUMIDIFIER

1. Open the humidifier by twisting the sealing cap anticlockwise off the water container.
2. Remove the air guide.
3. Only fill the humidifier with cold, decalcified, boiled water containing no additives. Alternatively, you can also use distilled water suitable for medical purposes.

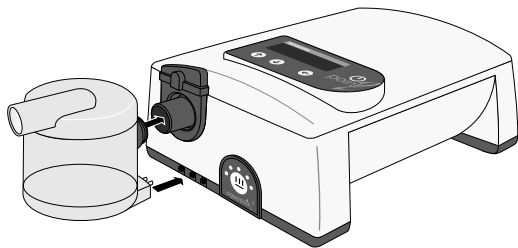
ATTENTION

Note the specified maximum fill level.

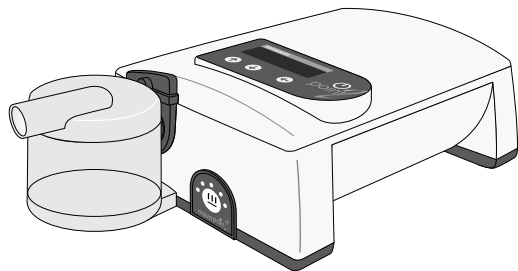
4. Put the air guide back in.
5. Close the water container by placing the sealing cap on the container and turning it clockwise until it stops.

CONNECTING THE HUMIDIFIER TO THE DEVICE

1. Connect the humidifier to the therapy device. Ensure that the contact pins and the air inlet of the humidifier are fitted to the therapy device without being skewed or distorted.

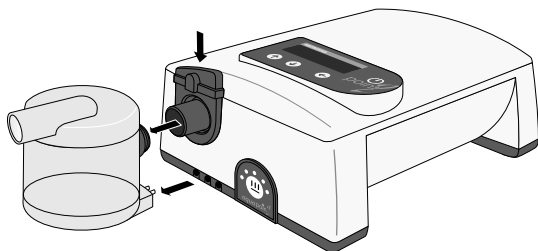


2. Push the humidifier with some pressure in the direction of the therapy device until the locking mechanism audibly engages.



DISCONNECTING THE HUMIDIFIER




Press down on the locking mechanism and pull the humidifier away from the device.




NOTICE

The water is only heated when the blower is running.

SETTING THE HEATING LEVEL

The humidifier has 5 heating levels. By pressing the  key you increase the heating power one level at a time. If you press  after level 5, the heating switches off. To switch the heating back to level 1, press  again.

The LED indicator shows you what level the heating is set to. At level 1 the first LED is lit, at level 5 all LEDs are lit. The LED display dims automatically if the  is not pressed for at least 5 seconds.

CLEANING

NOTICE

Make sure that you follow the cleaning instructions.

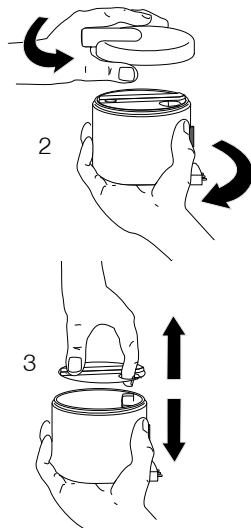
We recommend cleaning the humidifier after each use and leaving it to dry completely during the day. In this way, you will prevent limescale accumulating and germs multiplying.

Clean the humidifier as follows:

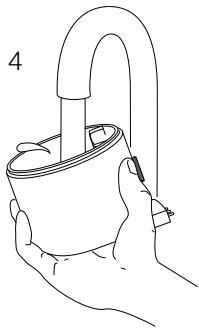
ATTENTION

Never use sharp edged or pointed objects for cleaning.

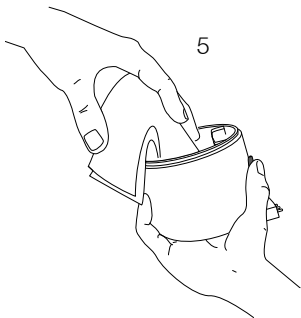
1. Detach the humidifier from the respiratory therapy device and take it to a sink unit.
2. Open the humidifier by twisting the sealing cap anticlockwise off the water container.
3. Remove the air guide.
4. Empty the water container and rinse it out under running water.
5. Remove the limescale by wiping it out with a soft cloth. Should stubborn limescale residue remain, we recommend filling the water container with an



4



5



ordinary household descaler or a weak vinegar solution and leave to stand for some time. Then rinse the container very thoroughly under running water.

6. Rinse the sealing cap and the air guide under running water.
7. Leave all components to dry completely in the air.

You can clean the water container, the air guide and the sealing cap in the dishwasher up to a temperature of 60°C. However, we recommend cleaning them under running water to ensure that food remains from the dishwasher are not deposited on them.

NOTICE

The user does not have to perform any technical maintenance or chemical or thermal disinfection on the humidifier.

TROUBLESHOOTING

Problem	Remedy
Water in therapy tube	The heat is set too high. Select a lower heating level.
	Increase the room temperature.
	Run the therapy tube underneath the pillow.
	Use a tube cover sleeve (art. no. 0000 7161)
	Use a heated therapy tube (e.g. ComfortTube - art. no. 0000 3479)
No or insufficient humidification	Set a higher heating level.
The set heating level is not displayed	Check that the contact pins are inserted into the respiratory therapy device as far as possible. The blower of the therapy device must be running.
Water is leaking from the air outlet	Check whether the maximum permissible fill level of the water container has been exceeded. Check the cleaning status.

PREPARING THE DEVICE FOR A PATIENT CHANGE

CAUTION

If the humidifier is to be used for another patient, it must first of all be prepared hygienically.

Before being given to another patient, the humidifier must be prepared hygienically by the specialist dealer or the manufacturer.

The preparation procedure is described in detail in the corresponding hygiene plan.

DISPOSAL

Proper disposal saves natural resources and prevents the release of harmful substances into the environment.

HUMIDIFIER

The humidifier must not be disposed of with the household waste.

Please contact the relevant customer services department to find out how to dispose of the humidifier properly.



PACKAGING

The packaging is taken back by the distributor but it can alternatively be disposed of separately with the normal household waste.



TECHNICAL DATA

Dimensions (W x D x H)	100 x 145 x 109 mm		
Weight without water	283 g		
Maximum capacity	220 ml		
Operating voltage	24 VDC		
Power consumption	24 VDC	230 VAC	
Heating level 1	< 5 W	< 9 W	
Heating level 2	< 8 W	< 11 W	
Heating level 3	< 12 W	< 14 W	
Heating level 4	< 15 W	< 20 W	
Heating level 5	< 19 W	< 22 W	
Relative humidity (measured at 24°C and 59% rel. humidity)	Flow	Level 1	Level 5
4 hPa	16 l/min	> 85 %	100%
10 hPa	24 l/min	> 70 %	100%
20 hPa	37 l/min	> 60 %	> 70%
Output of the humidifier system at heating level 5 (measured at 24°C and 34% rel. humidity)	4 hPa : 16 l/min : 13 mg/l 10 hPa : 24 l/min : 12 mg/l 20 hPa : 37 l/min : 10 mg/l The humidifier output may vary under different ambient conditions.		

Maximum water temperature	41 °C
Maximum temperature of emitted gas	35 °C
Operating temperature	+ 5 °C ... + 35 °C
Storage temperature	- 20 °C ... + 50 °C
Relative humidity	15 % ... 95 %
Operating range	1060 hPa ... 700 hPa (approx. - 400 m ... + 3500 m)
Therapy tube connection	22 mm, cone (as per ISO 5356-1)
Product class according to 93/42/EEC	Ila
Classification according to EN 60601-1	Protection class II, BF type device

CE marking as per EC directive 93 / 42 / EEC.

The manufacturer reserves the right to make technical changes without notice.

DISCLAIMER

HOFFRICHTER GmbH is not liable for consequences in terms of safety, reliability and performance of the product where:

- interventions, modifications, extensions, adjustments, repairs and maintenance are carried out by persons not authorized by us,
- other manufacturers' accessories and spare parts are used that have not been approved by us for use on the product,
- the product is used other than as described in the user's manual or
- the hygiene and cleaning instructions described in the user's manual have not been complied with.

Statutory guarantee rights remain unaffected by this.

NOTES

A series of 12 horizontal dotted lines for writing notes.

HOFFRICHTER GmbH
Mettenheimer Straße 12/14
19061 Schwerin
Germany
phone: +49 385 39925-0
fax: +49 385 39925-25
e-mail: info@hoffrichter.de
web: www.hoffrichter.de