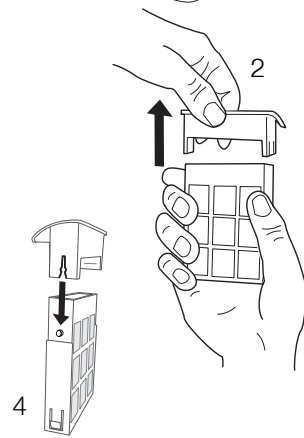
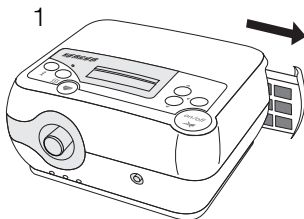


FILTER CHANGE

If the filter is polluted or the message **Change Filter** appears in the display the filter cassette must be changed.

1. Pull out sidewise the cassette for filter change.
2. Take off the filter frame cover.
3. Replace the filter cassette.
4. Mount the filter frame cover onto the new filter cassette. Make sure the upper part (slit) and the filter cassette (pin) are in the correct position.

To reset the filter counter, go to the Patient-Menu (press the ◀ key for approx. 1 second), then select **Change Filter** with the keys ▲ and ▼. Press the ◀ key twice.



CAUTION

Never operate the device without filter cassette. Only and exclusively use original HOFFRICHTER filter cassettes. Otherwise, the warranty for the respiratory therapy device will become invalid.

CLEANING

Daily cleaning of the mask

1. Disconnect the mask from the therapy tube.
2. Use mild soap water (don't use other additives) for cleaning, thoroughly rinse with clear water and let the mask dry in air, protected for direct sunlight.

Weekly cleaning of the therapy tube

1. Close the measuring tube tightly with the stoppers before cleaning.
2. Use mild soapy water for cleaning, thoroughly rinse with clear water, and let the tube dry in air.
3. Remove the two stoppers from the measuring tube after cleaning.

IMPORTANT

If water should stay in the measuring tube it could adulterate the pressure measuring or delay the control. Both could affect an optimal therapy.

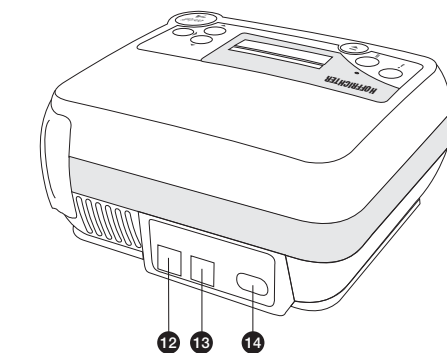
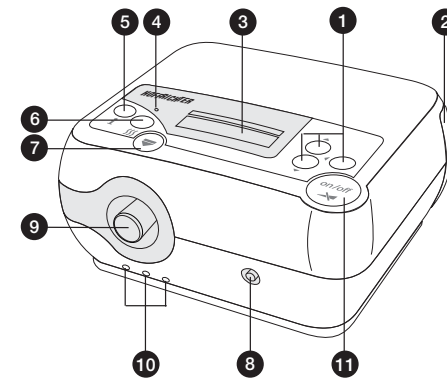
Weekly cleaning of the device

1. Disconnect the power plug from the socket.
2. Wipe the device with a cloth slightly moistened with soapy water. Then use a dry cloth to wipe the device dry.

Cleaning the head gear

Clean the head gear as required:

1. Disconnect the head gear from the mask.
2. Clean the head gear as described in the head gear manufacturer's User's manual.



- 1 Program keys
- 2 Filter cassette
- 3 Display
- 4 Heater LED
- 5 Info key
- 6 Heater key
- 7 Release button for accessories
- 8 Measuring tube connection
- 9 Therapy tube connection
- 10 Contact socket for humidifier
- 11 ON/OFF key
- 12 Power connection 24 V DC
- 13 RS232 interface
- 14 Power connection 230 V AC

Short Manual

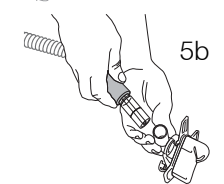
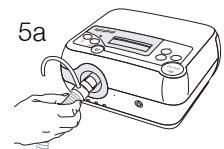
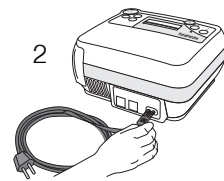
CPAP - AUTO - BILEVEL - BILEVEL ST20



This document does not replace the User's Manual. Observe the User's manual!

USE OF THE DEVICE

1. Set up the device acc. to the setup instructions (see User's Manual).
2. Connect the power cord with the device.
3. Plug the power plug into a socket.
4. The device displays a welcoming message, the software version and the current number of treatment hours. Thereafter, the display shows the date and time.
5. Connect the therapy tube
a) to the air outlet and
b) to the mask.
6. Also connect the measuring tube to the measuring tube connection.
7. Put on the mask. If you have selected the automatic mode, the device will start on your first breath. In the manual mode, press the ON/OFF key to start the device.
8. The device will then run through the mask test for the time selected and at the pressure prescribed. You should now properly seat the mask in order to eliminate any potential leaks.
9. Place the tube such that it does not exert any pulling action on the mask while you are lying down.
10. Breathe deeply and calmly only through your nose.



SETTING THE PARAMETERS

You can set the parameters of the device with the following three keys:

- ▲ = program key
- ▼ = program key
- ◀ = enter key

1. Press the ◀ key for approx. 1 second.
2. Change to the next parameter with the key in following sequence:

Wake Time
Delete Filter
Mask (only TREND II Auto)
Ramp
Mask Test
Automatic
Brightness
Date
Time

A flashing arrow ▶ shows the active parameter.

3. Press the ◀ key to change a parameter.
4. Adjust the wanted value with the ▲ and ▼ keys.
5. Confirm the new value by pressing the ◀ key.

By pressing the info key **i** you get to the Info-Menu. Here all adjusted parameters can be recalled. Changes of these parameters can only be done by your physician or authorized dealer.

ALARM CLOCK ON/OFF

- Activate the alarm clock by using the ▲ key. The bell symbol appears.
- By using the ▼ key the alarm clock will be deactivated. The bell symbol disappears.

SETTING THE WAKE-UP TIME

1. Press the ◀ key approx. 1 second.
2. Select **Wake Time** by using the ▲ and ▼ keys.
3. Confirm by pressing the ◀ key.
4. Set the wake-up time by using the ▲ and ▼ keys.
5. Confirm the wake-up time by pressing the ◀ key.

HUMIDIFIER AquaTREND uni (optional)

If necessary, just click the humidifier onto the device. Remove it by pressing its release button.

The heater levels are set in the heater menu. The selected heater level is displayed as in the display of the device while the humidifier heating is switched on.

For more information please see your AquaTREND uni - User's manual.

